

30A 125/250V 3-POLE / 4-WIRE REPLACEMENT PLUG

INSTALLATION INSTRUCTIONS
OVERVIEW

The Cable Matters 30A 125/250V 3-Pole / 4-Wire Replacement Plug terminates a 16-10 AWG cord. Replace broken appliance cord plugs or create a custom-length cord.

! CAUTION

- Installation by a qualified electrician is recommended
- Rated for indoor use only in a dry location
- Use only 16-10 AWG stranded copper cords

WIRING INSTRUCTIONS - READ BEFORE INSTALLING


1) Turn off the power of any appliance before replacing the plug!

2) Carefully remove the existing plug.

3) Use a wire stripper (not included). Strip back about 1 inch of the cord jacket from the existing cord.



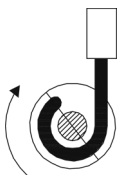
4) Strip back about 0.4 inches of the wire insulation from each conductor and remove any filler.

5) Use a Phillips head screwdriver (not included). Loosen 2 screws on the front housing and remove the front housing from the rear housing. Loosen 2 screws on the rear housing to open strain-relief bracket.



6) Slide the cord through the strain-relief bracket and loosely re-attach the screws on the rear housing to keep the cord in place.

7) Loosen each screw and clamp, one at a time, starting with the green/ground screw. **NOTE:** Green screw is for the ground wire, brass is for the black/hot wire, and silver is for the white/neutral wire.

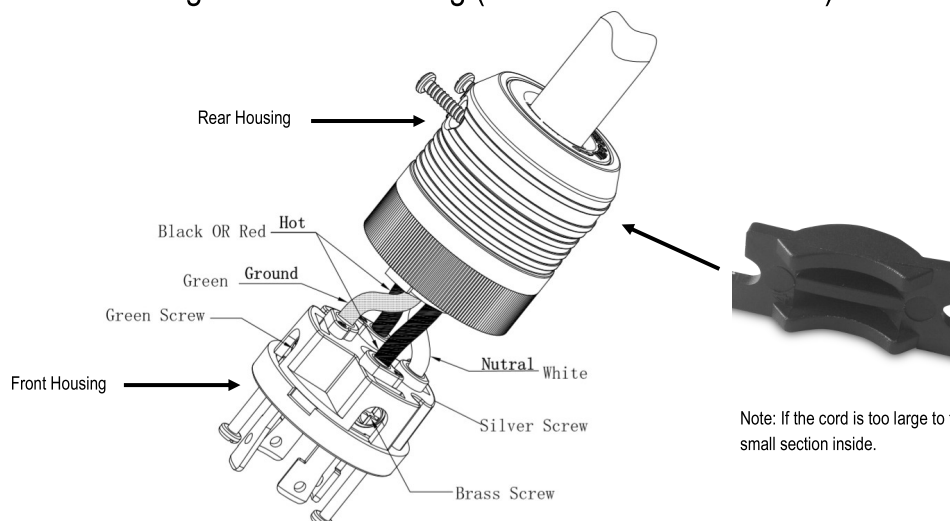


8) Fully insert the wire into the proper terminal screws. Check that the insulation is not touching the terminal.

9) Tighten the terminals screws and check that all wires are properly separated. Tug on the wires to check that they are firmly seated.

10) Slide the front housing to the rear housing (Make sure the buckle fits).

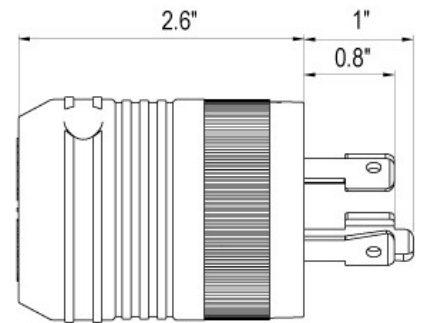
**16-10 AWG
STRANDED WIRE
ONLY**



Note: If the cord is too large to fit, simply remove the small section inside.

30A 125/250V 3-POLE / 4-WIRE REPLACEMENT PLUG**TECHNICAL SPECIFICATIONS**

- Electrical Rating: 30A 125/250V
- NEMA L14-30P Locking Plug
- 3 Pole / 4 Wire with Grounding
- Industrial Grade / Indoor Use
- Cord Compatibility: 16-10 AWG Stranded Wire
- Compliance: UL Listed
- Dimensions (from outlet): 2.6 Inches
- Circumference: 2 Inches
- Warranty: Limited One-Year

**IMPORTANT NOTES:**

- Fire risk! Do not exceed the electrical rating.
- Do not use solid wire, only stranded wire cords
- Specifications are subject to change without notice

Package Contents

- 2x 30A 125/250V Receptacle Plug
- 1x Instruction Sheet

Copyright and Trademarks

Cable Matters is a registered trademark or trademark of Cable Matters Inc. All rights reserved. All other trademarks are the property of their respective owners.

Limitation of Liability

In no event shall Cable Matters Inc. (including their officers, directors, employees or agents) be liable for any damages (whether direct or indirect, special, punitive, incidental, consequential, or otherwise), loss of profits, loss of data, loss of business, or any pecuniary loss, arising out of, or related to the use of this product exceeding the actual price paid for the product (as allowed by state law).

Warranty Information

This product is backed by a limited one-year warranty. The warranty covers parts and labor costs only. Cable Matters does not warrant its products from defects or damages arising from misuse, abuse, or normal wear.

Customer Support and Contact Information

Cable Matters offers lifetime technical support as an integral part of our commitment to provide industry leading solutions.

Contact us at wholesale@cablematters.com for large volume discount pricing.

Contact support@cablematters.com with any questions